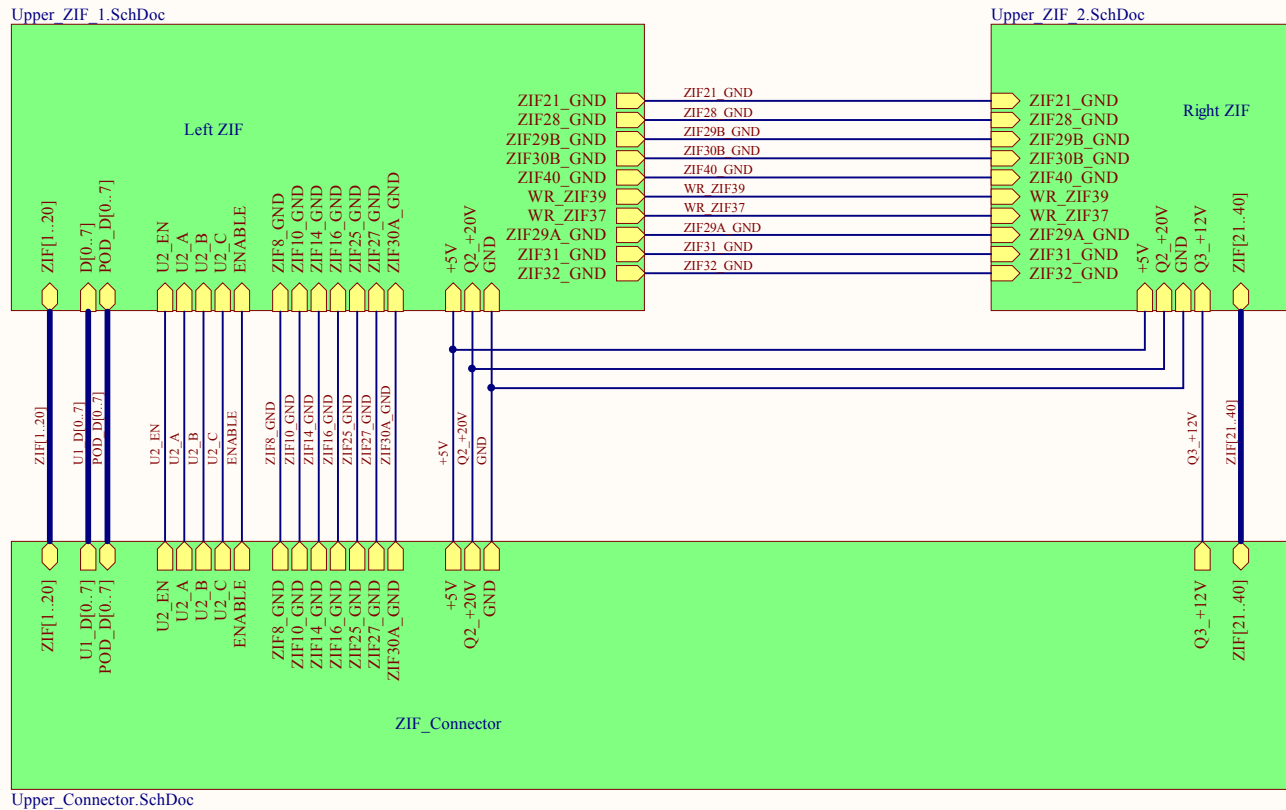
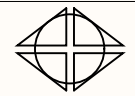
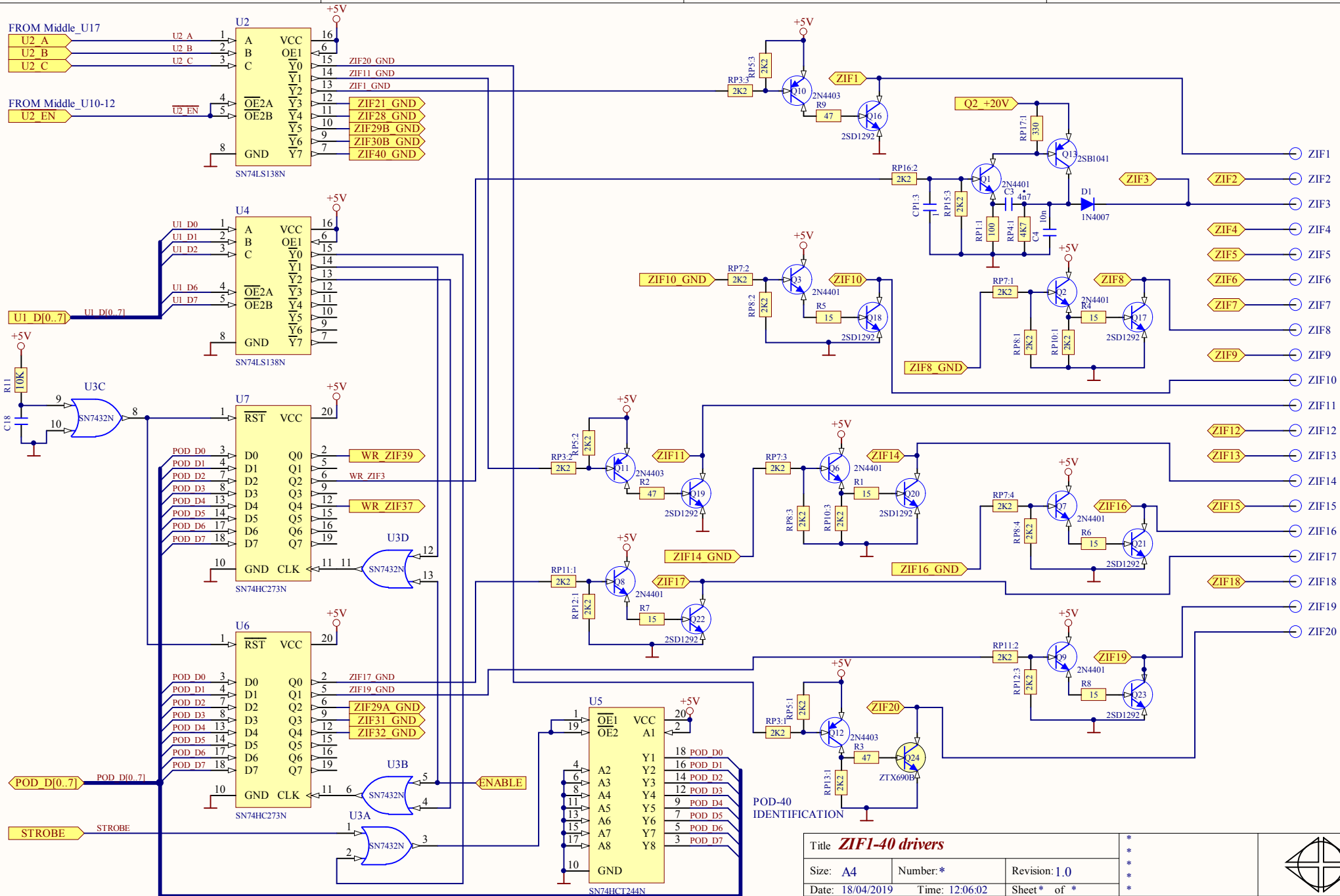


Title POD connector			* * * *	
Size: A4	Number: *	Revision: 1.0		
Date: 18/04/2019	Time: 12:05:39	Sheet * of *		
File: D:\Projects\HILo-ALL-07\Schémas new\Upper Connector.SchDoc				

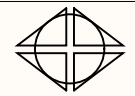


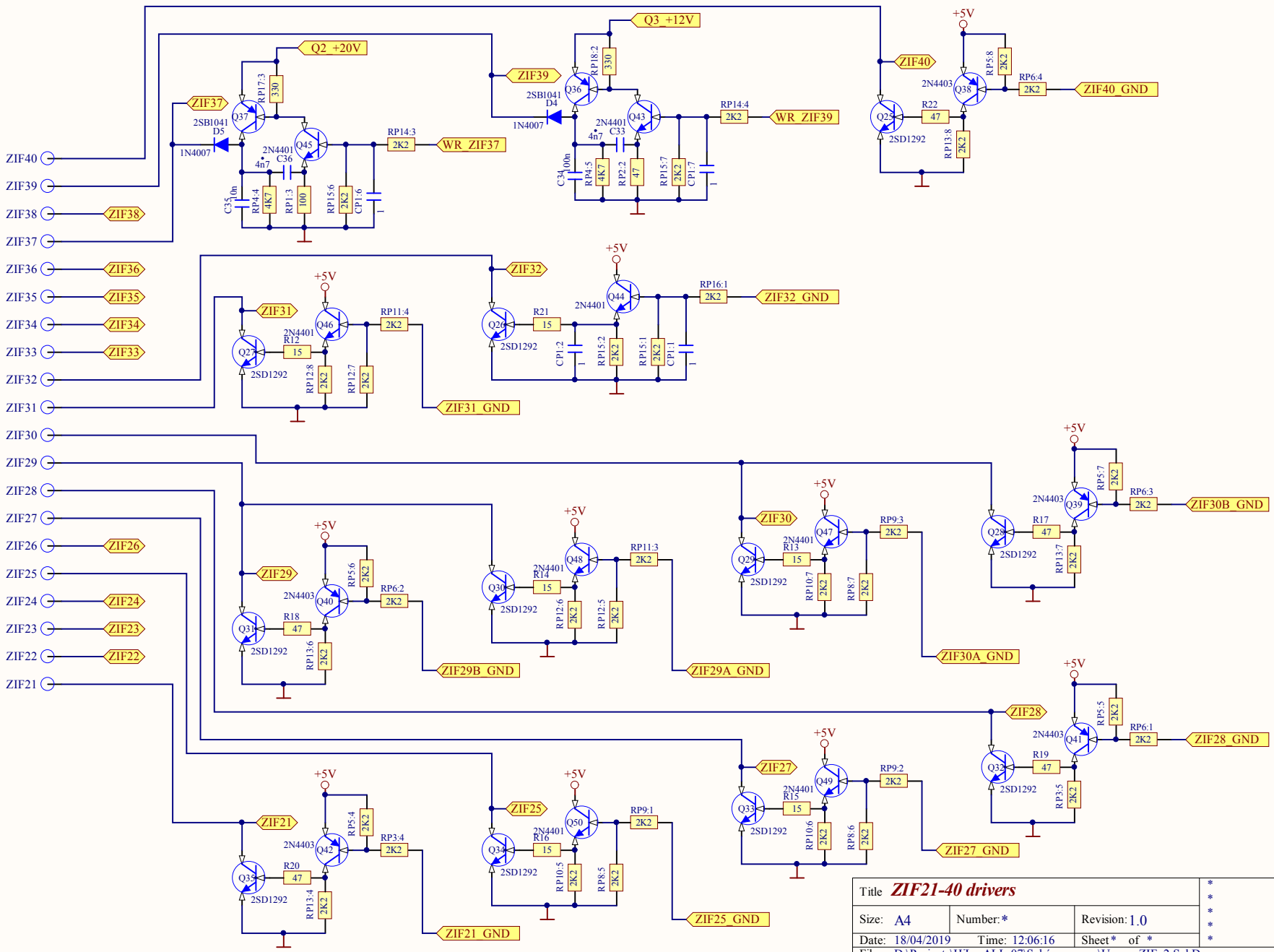
Title Upper_Global			* * * *
Size: A4	Number: *	Revision: *	
Date: 18/04/2019	Time: 12:05:30	Sheet * of *	
File: D:\Projects\Hil.o-ALL-07\Schémas new\Upper_Global.SchDoc			





Title ZIF1-40 drivers			*
Size: A4	Number: *	Revision: 1.0	*
Date: 18/04/2019	Time: 12:06:02	Sheet* of *	*
File: D:\Projects\HILo-ALL-07\Schémas new\Upper_ZIF 1.SchDoc			*





Title ZIF21-40 drivers			*
Size: A4	Number: *	Revision: 1.0	*
Date: 18/04/2019	Time: 12:06:16	Sheet * of *	*
File: D:\Projects\HILo-ALL-07\Schemas new\Upper_ZIF_2.SchDoc			

